

W24IT3S-RKS1ML

24" Intel® Core™ i5-1135G7 Defence Console Rack Panel PCs



KEY FEATURES

- 24" 1920 x 1200 High Resolution TFT LCD, Defence Console Rack Panel PCs
- Intel® Core™ i5-1135G7 2.4 GHz (turbo to 4.2GHz) Processor
- Anti-Corrosion Housing / Fanless
- Compliant with MIL-STD-810G/F , MIL-STD-461E/F
- Flush Rack / Rack Mount Mechanical Design (9U)
- Convenient On-Screen Display Controls
- AC 110~240 V Power input default
- Isolation DC 9~36 V Power input (Optional)
- Built-in Light Sensor for auto brightness control
- Defence Grade Power Connector (MIL-DTL-38999/1)

INTRODUCTION

Winmate Defence Console Rack Panel PC Series is a robust solution designed for mission-critical applications in defense and industrial environments. Available in sizes from 15" to 32", these systems feature Intel® processors, fanless anti-corrosion housing, and projective touch screens for seamless operation. With MIL-STD-810G/F and MIL-STD-461E/F/G compliance, they ensure reliability in extreme conditions. The rack-mount (8U) design, on-screen display controls, and optional isolation DC power input provide versatility, making them ideal for command centers, control rooms, and rugged field deployments.

SPECIFICATIONS

Display

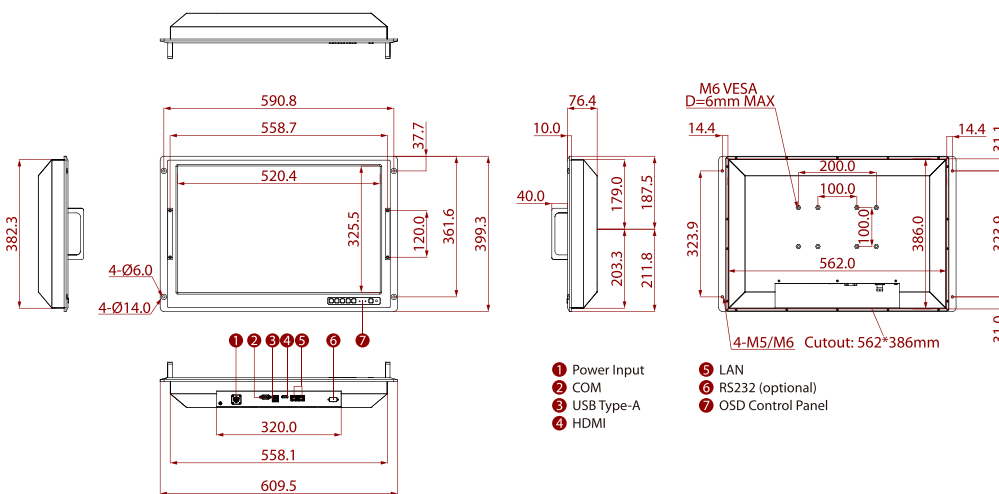
Resolution	1920x1200	Size	24.0 inches
Contrast Ratio	1000:1	Panel Brightness	300.0 nits
View Angles	89,89,89,89	Active Area	518.4x324.0 mm
Touch / Glass	AR Protection Glass 5 Wires Resistive Touch (Optional) 5 Wire Resistive with EMI Mesh Filter (Optional) EMI Glass (Optional)		

System Specification

Processor	Intel Core i5-1135G7 2.4GHz (up to 4.2GHz) Intel Core i5-1145G7 2.6GHz (up to 4.4GHz) (Optional)	Memory	1 x SO-DIMM, DDR4 3200 MHz, 4GB 8GB (Optional) 16GB (Optional) 32GB (Optional)
Storage	1 x M.2 M-Key 2242 SATA SSD or 1 x M.2 M-Key 2280 NVMe SSD 128GB 256GB (Optional) 512GB (Optional) 1TB(for NVMe) (Optional) 2TB(for NVMe) (Optional) 4TB(for NVMe) (Optional) 1 x SATA III , up to 2TB (Optional)	Ethernet controller	2 x Intel® Ethernet Controller

Security	TPM 2.0	Operating System	Windows 11 IoT Enterprise SAC (64 bit) (Optional) Windows 10 IoT Enterprise (64 bit) (Optional) Linux Ubuntu 22.04 (Optional)
Environment			
Operating Humidity	10% to 95% RH	Operating Temperature	0~50°C
Storage Temperature	-10°C~60°C	Vibration	USA: MIL-STD-810H Method 514.8 – Procedure I NATO: STANAG 4370/AECTP400 Edition 3 Method AECTP 401–Procedure I (optional)
Drop	USA: MILSTD810H Method 516.8 NATO: STANAG 4370/AECTP400 Edition 3 Method AECTP 404–Procedure II (Optional)	TEMPEST	USA: NSA NSTISSAM TEMPEST/1-92 (optional) NATO: NATO SDIP-27 (optional)
Compliance			
MIL-STD 461G	USA: MIL-STD-461G: CE101, CE102, RE101, RE102, CS118 (default) CS101, CS114, CS115, CS116, RS101, RS103 (optional) NATO: STANAG 4370/AECTP-501: NCE01, NCE02, NRE01, NRE02, NCS12 (default) NCS01, NCS07, NCS08, NCS09, NRS01, NRS02 (optional)	MIL-STD 810H	USA: MIL-STD-810H (default): Vibration Method 514.6 Humidity Method 507.6 Transit Drop Method 516.6 NATO (optional): Vibration Test STANAG 4370/AECTP-401 Shock STANAG 4370/AECTP-402 Procedure I Drop and Topple Test STANAG 4370/AECTP-404
Certification			
Certification	CE, FCC		
Mechanical			
Dimension	609.5 x 399.3 x 76.2 mm	Mounting	Rack mount Panel mount (Optional) VESA mount (Optional)
Enclosure	Metal Housing with Aluminum Bezel	Cooling System	Fanless Design
IO Ports			
USB Port	2 x USB 3.0	Serial Port	1 x RS232/422/485 (Default RS232) 1 x RS232 (Optional)
Video	1 x HDMI (Optional)	LAN	2 x RJ45
Accessory			
Accessory	User Manual (Hardcopy) CD-ROM with Driver Utility Power Cord MIL-DTL-38999/1		
Power			
Power Rating	AC 100~240V, Universal, ±10% DC 9~36V, ±10% (Optional)		
Control			
Button	6 Key OSD Control Pad: Power/ Brightness DOWN, Brightness UP/ Night, Day/ Exit, Auto/ Menu		

DIMENSIONS UNIT:MM



NOTE

1. This is a simplified drawing and some components are not marked in detail.
2. Please contact our sales representative if you need further product information.
3. All specifications are subject to change without prior notice.
4. The product shown in this datasheet is a standard model. For diagrams that contain customized or optional I/O, please contact the Winmate Sales Team for more information.