

R15L600-65EX

15" IP65 Stainless ATEX Rugged Display



KEY FEATURES

- Class 1, Division 2 & ATEX Zone 2 application certification rugged touchscreen
- 15" 1024 x 768, 550 nits (Optional 1000 nits) LCD Panel
- Explosion-proof 5-wire resistive touch
- Stainless steel design
- IP65 Certified, dust-proof and water-resistant

INTRODUCTION

Winmate ATEX Display Series is engineered for hazardous environments, offering Class 1, Division 2, and ATEX Zone 2 certifications for explosion-proof applications. With sizes like the 15" IP65 stainless rugged display, this series features a durable stainless-steel design, 5-wire resistive touch, and high-brightness options up to 1000 nits for optimal visibility. Its IP65 certification ensures dust and water resistance, making it ideal for industrial and outdoor use in challenging environments requiring safety and reliability.

SPECIFICATIONS

Display

| | | | |
|-------------------------|---|-----------------------|----------------|
| Touch / Glass | Resistive Touch Screen Bonding With Panel (Explosion-Proof) | Resolution | 1024x768 |
| Size | 15.0 inches | Contrast Ratio | 2000:1 |
| Panel Brightness | 550 nits 1000 nits(Optional) | Display Color | 16.2M Colors |
| View Angles | 88,88,88,88 | Active Area | 304.1x228.1 mm |

Mechanical

| | | | |
|-----------------------|-------------------|------------------|-------------------|
| Dimension | 396 x 310 x 49 mm | Weight | 5.7 kg |
| Mounting | VESA Mount | Enclosure | Stainless Housing |
| Cooling System | Fanless design | Cut out | 365 x 270 mm |

Environment

| | | | |
|----------------------------|--|------------------------------|--|
| Operating Humidity | 10% to 95% RH, Non-Condensing | Operating Temperature | -20°C to 60°C |
| Storage Temperature | -30°C to 70°C | Shock | MIL-STD-810G Method 516.6 Procedure I (Optional) |
| Vibration | MIL-STD-810G Method 514.6 Procedure I | IP rating | IP65 |
| Drop | MIL-STD-810G Method 516.6 Procedure IV | | |

Certification

| | |
|----------------------|--|
| Certification | CE, FCC |
| | UL 60950-1 CAN/CSA C22.2 No. 60950-1-07 EN 62368-1 |
| | Class I, Div.2, Groups A,B,C,D T4 |

-20 ≤ Tamb ≤ 50
 Meet Standards
 ANSI/ISA-12.12.01-2012
 CSA/CSA C22.2 No. 213-M1987

ATEX II 3G Ex ic nA IIC T4 Gc
 -20 ≤ Tamb ≤ 50
 Meet Standards
 EN 60079-0, EN 60079-11, EN 60079-15

IECEX Ex nA IIC T4 Gc
 -20 ≤ Tamb ≤ 50
 Meet Standards
 IEC 60079-0, IEC 60079-15

IO Ports

| | | | |
|--------------------|--|-----------------|---------------------------------------|
| Power Input | 1 x 9~36V DC, M12 Type connector | USB Port | 1x M12 type connector for Touchscreen |
| Serial Port | 1 x M12 type connector for RS232 remote control | Video | 1x M12 type connector for VGA input |
| Indicator | 1 x LED Indicator for power 1 x LED Indicator for standby | | |

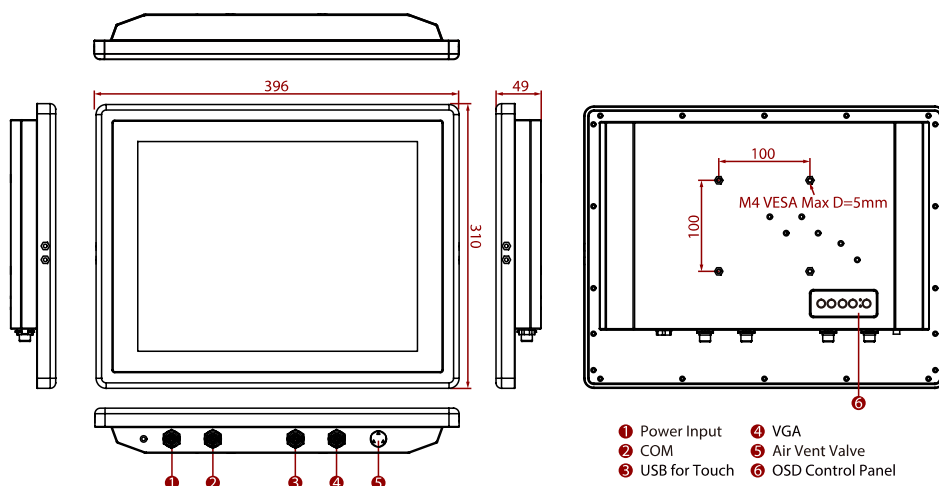
Control

| | |
|---------------|---|
| Button | 1 x Power Button 1 x Adjust up button 1 x Adjust down button 1 x ESC (Auto) button 1 x OK (Menu) button |
|---------------|---|

Accessory

| | |
|------------------|--|
| Accessory | 100~240V AC to DC Power Adapter with M12 Connector Power Cord M12 Type Power Cable M12 Type RS232 Male Cable for remote control M12 Type USB Male Cable for Touch M12 Type VGA Cable Manual VESA screws |
|------------------|--|

DIMENSIONS UNIT:MM



NOTE

1. Total usable memory will be less depending upon actual system configuration
2. Length measurements do not include protrusions. Weight varies with options.
3. Accessories and integrated options may vary depending on your configuration
4. This is a simplified drawing and some components are not marked in detail.
5. All specifications are subject to change without prior notice.
6. The product shown in this datasheet is a standard model. For diagrams that contain customized or optional I/O, please contact the Winmate Sales Team for more information.