

FM10Q

10.4" Android Forklift Mounted Computer with Qualcomm® Snapdragon™ 660



KEY FEATURES

- Qualcomm Snapdragon™ 660 octa-core, 2.2 GHz CPU Android forklift mounted computer
- 10.4"1024 x 768 Panel with PCAP touchscreen
- Field replaceable front panel to reduce service costs
- IP65 waterproof and dustproof
- Wide range -30°C to 50°C operating temperature

INTRODUCTION

Winmate FM Series Android Vehicle Mounted Computer (VMC) is a rugged and versatile solution designed for demanding industrial and logistics applications. Powered by ARM Genio 510 and Qualcomm® Snapdragon™ 660 processors, it delivers reliable performance for forklift and fleet operations. Featuring an IP65-rated waterproof and dustproof design, a wide -30°C to 50°C operating temperature range, and a field-replaceable front panel to reduce service costs, the FM Series ensures durability and efficiency. Its built-in backup battery enables seamless dock-to-dock transitions, ensuring uninterrupted productivity.

SPECIFICATIONS

Display

| | | | |
|-----------------------|----------------------------------|-------------------------|----------------------------------|
| Resolution | 1024x768 | Size | 10.4 inches |
| Contrast Ratio | 1200:1 | Panel Brightness | 400 nits 800 nits(Optional) |
| View Angles | 88,88,88,88 | Type | Projected Capacitive Multi Touch |
| Touch Mode | Support Hand, Stylus, Glove Mode | | |

System Specification

| | | | |
|------------------|---|-------------------------|-------------|
| Processor | Qualcomm® Snapdragon™ 660 (Octa-Core 2.2 GHz) | Memory | 3GB |
| Storage | 32GB | Operating System | Android 9.0 |
| WLAN | Support | BT | Support |
| WWAN | 4G/LTE (Optional) | GNSS | GPS/GLONASS |
| Sensors | G-Sensor, Temp. Sensor | | |

Camera

| | |
|---------------------|------------|
| Front Camera | 2MP Camera |
|---------------------|------------|

Mechanical

| | | | |
|------------------------|---|-----------------------|---|
| Dimension | Tablet: 268 x 214 x 35 mm (10.6 x 8.42 x 1.37 inches) Docking: 202 x 245 x 52 mm (7.9 x 9.6 x 2.04 inches) | Weight | Tablet 1.6 kg (3.53 lbs) Docking 1.6 kg (3.53 lbs) |
| Mounting | RAM mount/ VESA mount | Cooling System | Fanless Design |
| Docking Housing | Aluminum Alloy Housing | | |

IO Ports

| | | | |
|-----------------|----------------------------------|--------------------|-----------------------|
| USB Port | 1 x USB 3.0 Type C (OTG)(Tablet) | Serial Port | 2 x COM Port(Docking) |
|-----------------|----------------------------------|--------------------|-----------------------|

| | | | |
|---------------------|--|--------------------------|--|
| | 1 x DB9 Connector for 2 x USB 2.0 Port(Docking) | | |
| SD Card Slot | 1 x Micro SD Card Slot(Tablet) | SIM Card Slot | 1 x Dual-Nano SIM Card Slot(Tablet) |
| Audio | 2 x Speaker(Docking) 1 x CANBus or 1 x Audio(Docking) | LAN | 1 x Gigabit LAN port(Docking) |
| Indicator | 5 x LED Indicator (Wi-Fi, BT, UPS battery, Screen Blanking, Heater) | Docking Connector | SMA Connector(female) for external antenna WLAN SMA Connector(female) for external antenna GPS (Optional) SMA Connector(female) for external antenna WWAN (Optional) |

Environment

| | | | |
|----------------------------|---------------------------------------|------------------------------|---|
| Operating Humidity | 5% to 95% RH, Non-Condensing | Operating Temperature | -30°C to 60°C |
| Storage Temperature | -30°C to 60°C | Shock | MIL-STD-810H Method 516.8 Procedure I |
| Vibration | MIL-STD-810H Method 514.8 Procedure I | IP rating | IP65 |
| Impact | Support EN62262 IK07 Rating | ESD | Compliant with EN 61000-4-2, Enhanced ESD to ±8kV Direct & ±12kV Air |

Certification

| | |
|----------------------|---------|
| Certification | CE, FCC |
|----------------------|---------|

Control

| | |
|---------------|---|
| Button | 1 x Power Button, 6 x Function Button (Programmable Function Key Configured by Winset) |
|---------------|---|

Power

| | | | |
|----------------|---|---------------------|---|
| Battery | 7.6V UPS Battery (2S1P) Minimum 30 minutes | Power Rating | Docking: 10V-60V with ignition control Tablet: 12V DC In |
|----------------|---|---------------------|---|

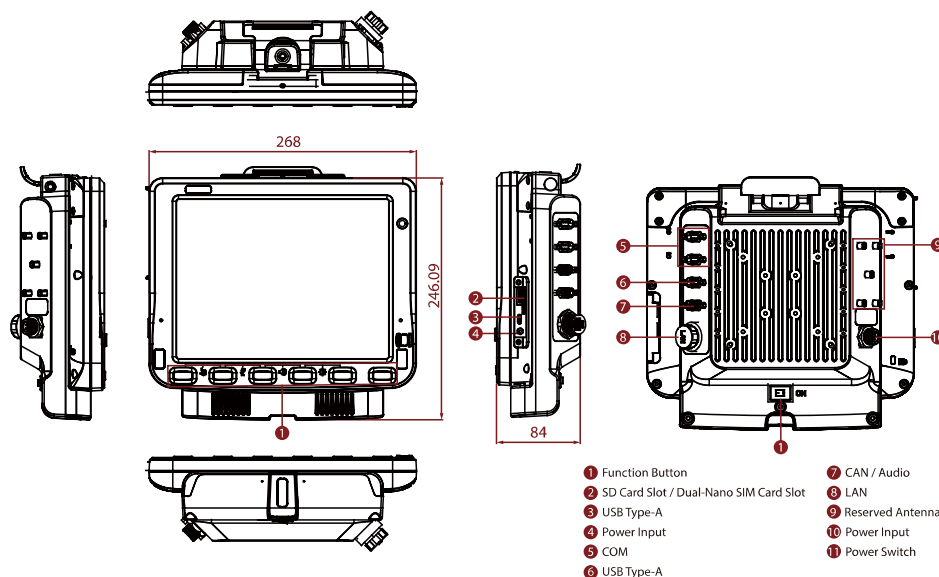
Security Function

| | |
|-------------------------|-----------------------------|
| SOTI MobiControl | SOTI MobiControl Compliance |
|-------------------------|-----------------------------|

Accessory

| | | | |
|------------------|--|---------------------------|--|
| Accessory | 5M Power Cable with Fuse Kit 0.3M USB Cable 0.15M Power Converter Cable DC Jack Power Cable 84W Adapter with power cable Cable Clamp Kit Wi-Fi Antenna x 2 Quick Start Guide External Antenna Fixing Bracket Dock + Latch Locking Key Stylus Kit + Screw | Optional Accessory | 1.8M RS232 Cable 0.3M Audio Cable 1.8M CAN BUS Cable 1.8M CAN BUS Open Wire Cable 2M IP65 LAN Cable GPS & LTE 2M Combo Antenna(VM240) GPS & LTE 5M Combo Antenna (VM9C) Magnetic Combo Antenna (VM10S) WWAN Antenna USB-C to HDMI Adapter |
|------------------|--|---------------------------|--|

DIMENSIONS UNIT:MM



NOTE

- Total usable memory will be less dependent upon actual system configuration.
- CANBus and audio are mutually exclusive.
- The heater is a customized feature available by request.
- SOTI is available upon request.
- Length measurements do not include protrusions. Weight varies with options.
- Measured at dimming LCD brightness. Varies depending on the usage conditions, or when an external device is attached.
- Accessories may vary depending on your configuration.
- Two Wi-Fi antennas are included in the standard package.
- The product shown in this datasheet is a standard model. For diagrams that contain customized or optional I/O, please contact the Winmate Sales Team for more information.
- Please order one bracket for one antenna. For example, if you plan to use two antennas, please order two brackets.
- Notice that only one antenna is included in the package. If you plan to use the WWAN function please order two WWAN antennas.
- This is a simplified drawing and some components are not marked in detail.
- COM port can supply 5V power via the 9th pin.