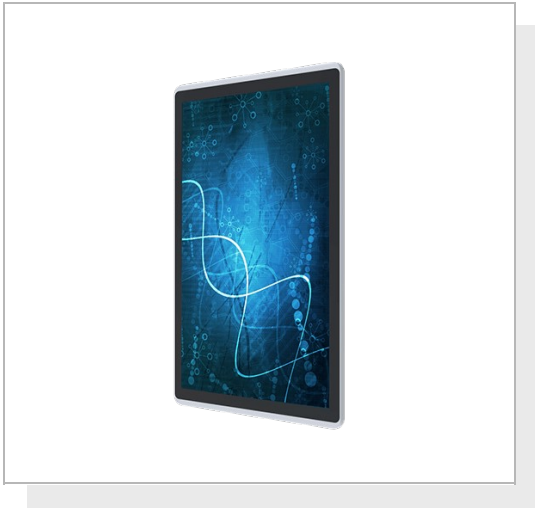


W15L100-PTA3-ME

15.6" Multi-Touch Color Surgical Display



KEY FEATURES

- 15.6" 1920 x 1080 Multi-Touch Color Surgical Display
- Projected Capacitive Multi-touch
- VGA input and HDMI input
- Stylish and elegant design
- Housing with antimicrobial properties
- Front IP65 Multi-Touch Color Surgical Display



SPECIFICATIONS

Display			
Resolution	1920x1080	Size	15.6 inches
Contrast Ratio	800:1	Panel Brightness	400.0 nits
Display Color	262K Colors	View Angles	85,85,85,85
Active Area	344.16x193.59 mm	Touch / Glass	Projected Capacitive Multi Touch Screen (AG)
Environment			
Operating Humidity	10% to 90% RH, non-condensing	Operating Temperature	0°C~40°C
Storage Temperature	-20°C~60°C		
Certification			
Certification	IEC 60601-1:2005 + A1:2012 (Ed. 3.1) IEC 60601-1-6:2010 + A1:2013 (Ed. 3.1) IEC 62366:2007 + A1:2014 (Ed. 1.1) ANSI/AAMI ES60601-1:2005/A1:2012 and C1:2009/(R)2012 and A2:2010/(R)2012 CAN/CSA-C22.2 No.60601-1:14 EN 60601-1-2:2015, IEC 60601-1-2:2014 (Ed. 4.0) EN 55032/EN 55024, FCC part 15B EN 62368-1:2014 RoHS-2, REACH, WEEE compliant		
IO Ports			
USB Port	1 x USB for Touch Screen	Video	1 x VGA 1 x HDMI (Optional)
Audio	1 x Audio Line In 2 x Speaker (Optional)		
Mechanical			
Dimension	388 x 233 x 40 mm	Weight	1.6 kg
Mounting	VESA Mount	Enclosure	Plastic
Cooling System	Fanless Design		
Accessory			
Accessory	1 x VGA cable 1 x HDMI cable 100~240V AC to DC Adapter Power Cord		

Manual
VESA screws(Varies by product)

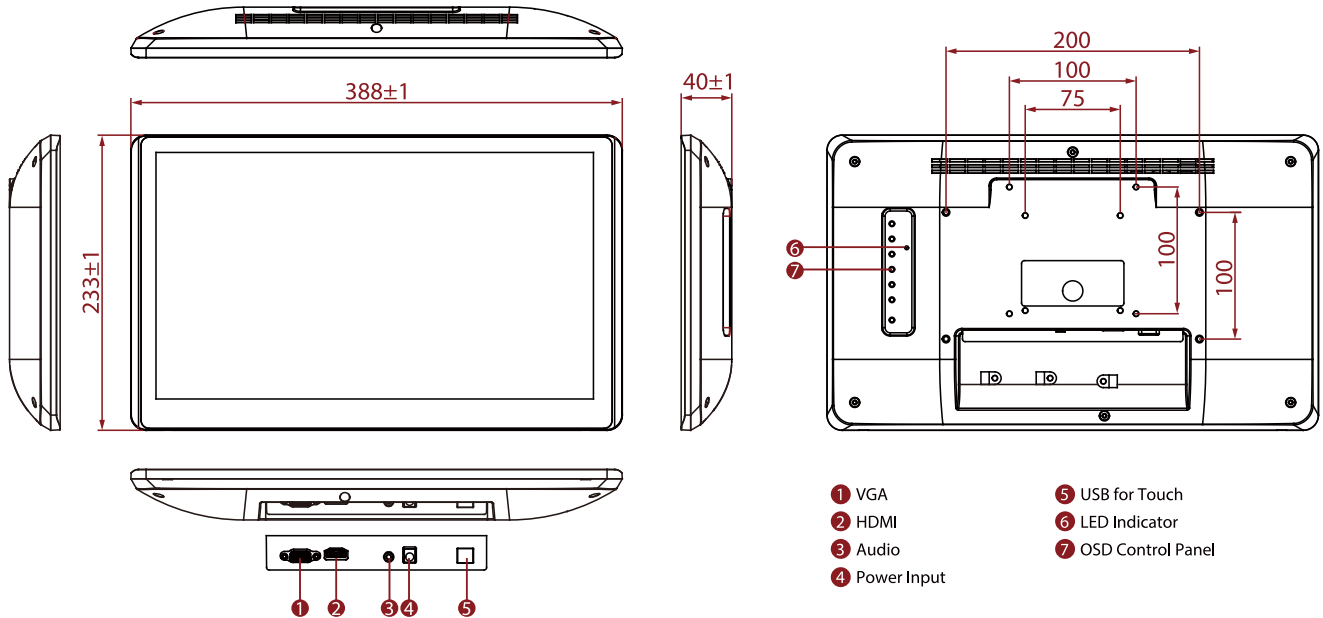
Power

Power Rating 12V DC in
24V DC in (optional)

Control

Button 7 Keys: Enter, Exit, Right, Left, Up, Down, Power

DIMENSIONS UNIT:MM



NOTE

1. This is a simplified drawing and some components are not marked in detail.
2. Please contact our sales representative if you need further product information.
3. All specifications are subject to change without prior notice.
4. The product shown in this datasheet is a standard model. For diagrams that contain customized or optional I/O, please contact the Winmate Sales Team for more information.