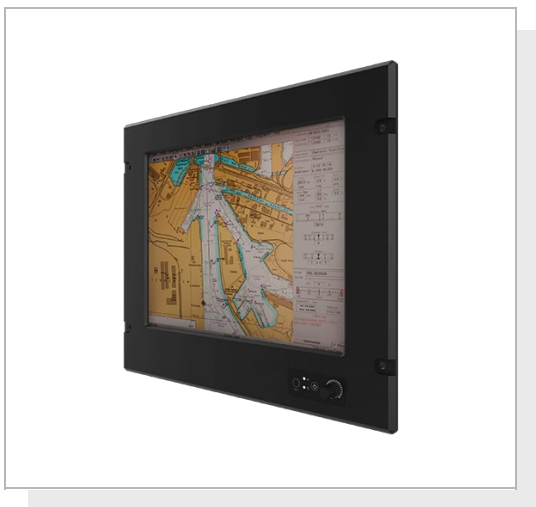


R15IT3S-MRM2

15" Intel® Core™ i7-1165G7 Marine Panel PC



KEY FEATURES

- Intel® Core™ i7-1165G7 processor marine panel PC
- Dimming knob control backlight brightness from nearly 0% to 100%
- 9~36V DC power input acceptable
- Panel (flush) mount IP66 aluminum housing with powder coating design

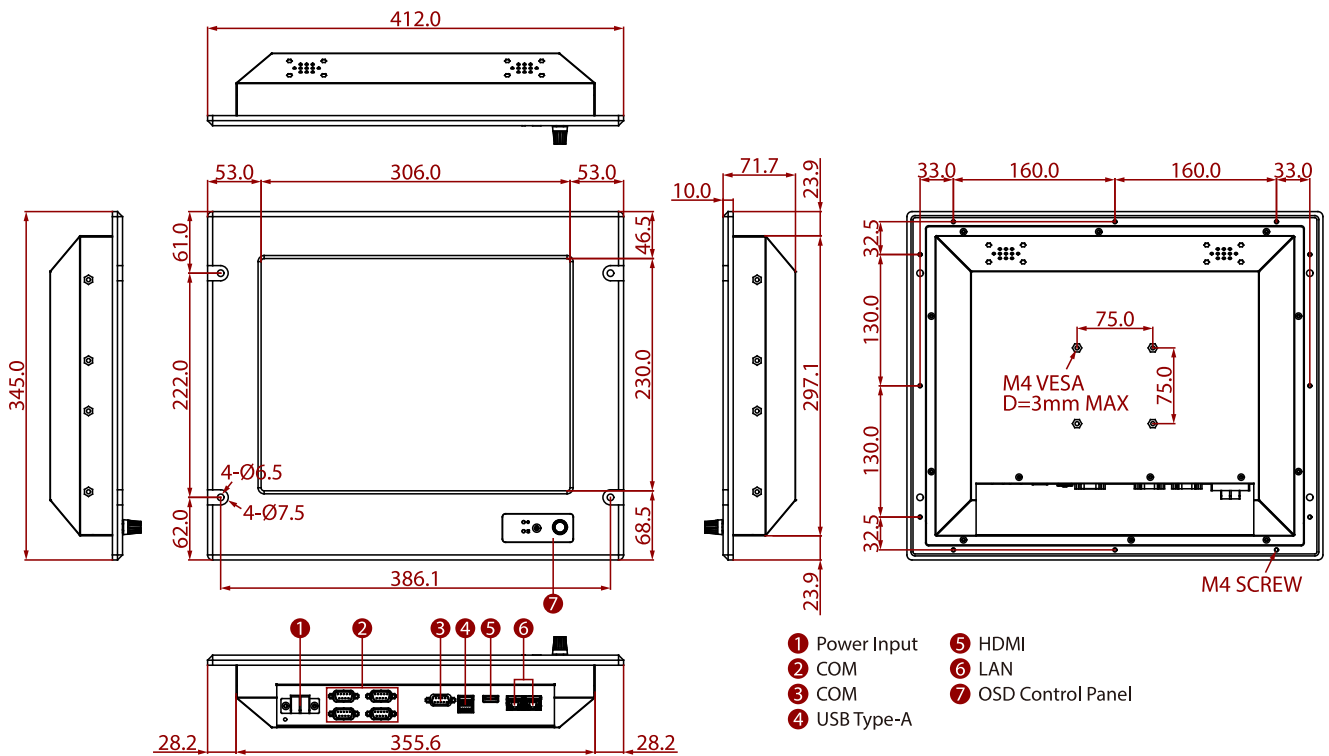


SPECIFICATIONS

Display	
Touch / Glass	Resistive Touch Screen AR Glass (Optional)
Size	15.0 inches
Panel Brightness	500.0 nits
Active Area	304.1x228.1 mm
Resolution	1024x768
Contrast Ratio	2000:1
View Angles	88,88,88,88
System Specification	
Processor	Intel Core i7-1165G7 2.8GHz (up to 4.7GHz)
Memory	1 x SO-DIMM, DDR4 2400 MHz, 4GB 8GB (Optional) 16GB (Optional) 32GB (Optional)
Storage	1 x M.2 M-Key 2280 NVMe SSD, 128GB 256GB (Optional) 512GB (Optional) 1TB (Optional) 2TB (Optional) 4TB (Optional)
Ethernet controller	2 x Intel® Ethernet Controller
Operating System	Windows 10 IoT Enterprise (64 bit) (Optional) Windows 11 IoT Enterprise SAC (64 bit) (Optional) Linux Ubuntu 22.04 (Optional)
Environment	
Operating Humidity	5% to 95%
Operating Temperature	-15~55°C
Shock	15G, 11ms duration
Vibration	0.7g@DNVGL CG-0339 (Class A)
IP rating	IP66 (Front Side)
Certification	
Certification	CE, FCC
Mechanical	
Dimension	412 x 345 x 71.7 mm
Weight	6.2 kg
Mounting	VESA Mount/ Panel Mount
Enclosure	Metal Housing with Aluminum Bezel
Cooling System	Fanless Design
Cut out	360 x 302mm
IO Ports	
USB Port	2 x USB 3.0
Serial Port	1 x RS232, 4 x RS232 or 4 x Isolation RS422/485 (Optional)

Video	1 x HDMI (Optional)	LAN	2 x RJ45-10/100/1000 Mbps
Accessory			
Accessory	Driver CD & User Manual 4 x M6 Black Screw Bolt with M6 Nut 1 x AC Adapter 12V/ 84W 1 x Power Cord		
Power			
Power Rating	9~36V DC Input Acceptable	Consumption	55W (Typical)
Control			
Button	1 x Power Button 1 x Reset Button 1 x The Dimming Knob		

DIMENSIONS UNIT:MM



NOTE

- 1.This is a simplified drawing and some components are not marked in detail.
- 2.Please contact our sales representative if you need further product information.
- 3.All specifications are subject to change without prior notice.
- 4.The product shown in this datasheet is a standard model.For diagrams that contain customized or optional I/ O, please contact the Winmate Sales Team for more information.